

Cheetah 60M-V 310-330 Watt

MONO PERC MODULE

Positive power tolerance of 0~+3%

ISO9001:2008, ISO14001:2004, OHSAS18001 certified factory

IEC61215, IEC61730, UL1703 certified product

(Made in China)



PERC



KEY FEATURES



5 Busbar Solar Cell

5 busbar solar cell adopts new technology to improve the efficiency of modules, offers a better aesthetic appearance, making it perfect for rooftop installation.



High Voltage

UL and IEC 1500V certified; lowers BOS costs and yields better LCOE



High Efficiency

Higher module conversion efficiency (up to 20.38%) benefit from Passivated Emmitter Rear Contact (PERC) technology.



PID Resistance

Excellent Anti-PID performance guarantee limited power degradation for mass production.



Low-light Performance

Advanced glass and cell surface textured design ensure excellent performance in low-light environment.



Severe Weather Resilience

Certified to withstand: wind load (2400 Pascal) and snow load (5400 Pascal).



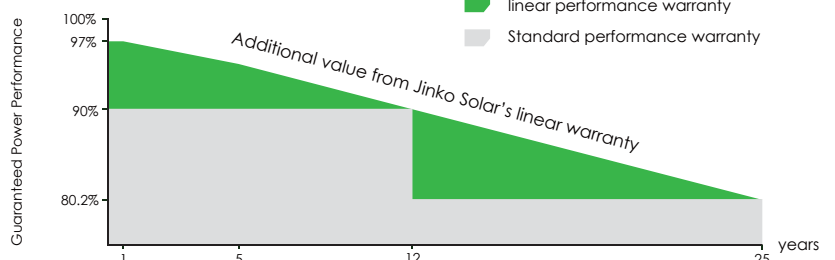
Durability Against Extreme Environmental Conditions

High salt mist and ammonia resistance certified by TUV NORD.

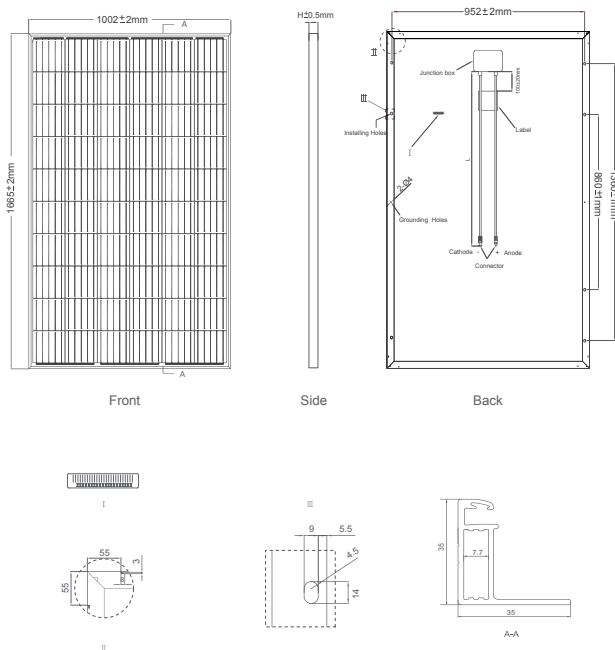


LINEAR PERFORMANCE WARRANTY

10 Year Product Warranty • 25 Year Linear Power Warranty



Engineering Drawings

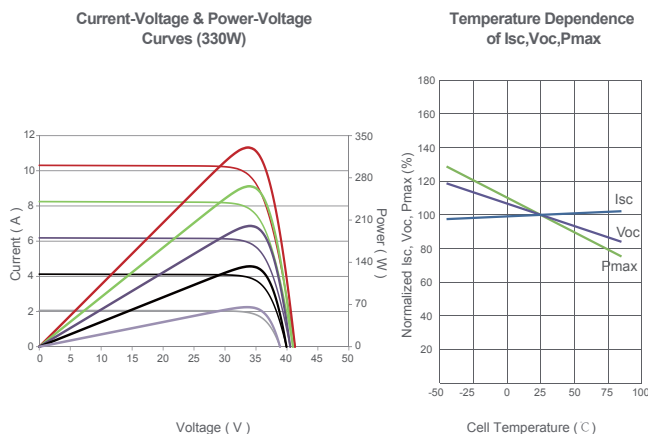


Packaging Configuration

(Two pallets = One stack)

30pcs/pallet, 60pcs/stack, 840pcs/40'HQ Container

Electrical Performance & Temperature Dependence



Mechanical Characteristics

Cell Type	Mono PERC 158.75×158.75mm
No. of cells	60 (6×10)
Dimensions	1665×1002×35mm (65.55×39.45×1.38 inch)
Weight	19.0 kg (41.9 lbs)
Front Glass	3.2mm, Anti-Reflection Coating, High Transmission, Low Iron, Tempered Glass
Frame	Anodized Aluminium Alloy
Junction Box	IP67 Rated
Output Cables	TÜV 1×4.0mm ² , Length 900mm or Customized Length
Connector	JK03M; Jinko PV Material

SPECIFICATIONS

Module Type	JKM310M-60-V		JKM315M-60-V		JKM320M-60-V		JKM325M-60-V		JKM330M-60-V	
	STC	NOCT	STC	NOCT	STC	NOCT	STC	NOCT	STC	NOCT
Maximum Power (Pmax)	310Wp	231Wp	315Wp	235Wp	320Wp	239Wp	325Wp	242Wp	330Wp	246Wp
Maximum Power Voltage (Vmp)	33.0V	31.0V	33.2V	31.2V	33.4V	31.4V	33.6V	31.6V	33.8V	31.8V
Maximum Power Current (Imp)	9.40A	7.49A	9.49A	7.56A	9.59A	7.62A	9.68A	7.66A	9.77A	7.74A
Open-circuit Voltage (Voc)	40.5V	37.4V	40.7V	37.6V	40.9V	37.8V	41.1V	38.0V	41.3V	38.2V
Short-circuit Current (Isc)	10.15A	8.20A	10.23A	8.33A	10.31A	8.44A	10.50A	8.54A	10.61A	8.65A
Module Efficiency STC (%)	18.58%		18.88%		19.18%		19.48%		19.78%	
Operating Temperature (°C)	-40°C~+85°C									
Maximum System Voltage	1500VDC (IEC)									
Maximum Series Fuse Rating	20A									
Power Tolerance	0~+3%									
Temperature Coefficients of Pmax	-0.37%/°C									
Temperature Coefficients of Voc	-0.28%/°C									
Temperature Coefficients of Isc	0.048%/°C									
Nominal Operating Cell Temperature (NOCT)	45±2°C									

STC: Irradiance 1000W/m²

Cell Temperature 25°C

AM=1.5

NOCT: Irradiance 800W/m²

Ambient Temperature 20°C

AM=1.5

Wind Speed 1m/s

* Power measurement tolerance: ± 3%